

TYPICAL TWIN MODULAR SERVICES INC. ALUMINUM BUILDING SPECIFICATIONS:

LOADS & CODES:

DESIGN CODES:
 2015 INTERNATIONAL BUILDING CODE
 - (CHAPTER 16 - STRUCTURAL ONLY)
 - (CHAPTER 24 - GLASS)
 2014 NATIONAL ELECTRIC CODE

STRUCTURAL LOADS

RISK CATEGORY: II
 FLOOR LIVE LOAD: 50 PSF
 ROOF LIVE LOAD: ___ PSF
 GROUND SNOW LOAD: ___ PSF
 FLAT ROOF SNOW LOAD: ___ PSF
 SNOW LOAD IMPORTANCE FACTOR: ___
 SNOW THERMAL FACTOR: ___
 SNOW EXPOSURE FACTOR: ___

WIND SPEED:
 Vult: ___ MPH
 Vasd: ___ MPH

WIND EXPOSURE: _
 INTERNAL PRESSURE COEFFICIENT: +/- ___
 BUILDING ENCLOSED

SEISMIC IMPORTANCE FACTOR: ___
 Ss = ___
 S1 = ___
 SITE CLASS: _ (ASSUMED)
 Sds = ___
 Sd1 = ___
 SEISMIC DESIGN CATEGORY: _
 SEISMIC FORCE RESISTING SYSTEM: LIGHT FRAME BEARING WALL SYSTEM
 DESIGN SEISMIC LOAD = ___
 R = _
 EQUIVALENT LATERAL FORCE PROCEDURE

- A. GENERAL: Pre-assemble building fabricated from low maintenance, lightweight corrosive resistant aluminum (factory fabricated). Building exterior shall have no exposed fasteners.
- 1 DIMENSIONS: 4'-0" wide x 6'-0" long, 90" interior ceiling height and 98 1/2" nominal outside height.
- 2 FRAME CONSTRUCTION: Provide structural framing of 6063-T6 aluminum alloy extrusions. Members shall have a Quaker Bronze finish. Connections shall be fastened internally to framing systems using mechanical fasteners or MIG welded where necessary. Exposed fasteners on framing system are not acceptable.
- 3 BASE/FLOOR: Building shall be constructed on a 4" high steel angle base frame encapsulated with a protective undercoating paint. Floor shall be comprised of 1/8" aluminum tread plate finished floor.
- 4 WALL PANELS: Exterior shall be .032 Quaker Bronze aluminum, 2 3/4" polyiso insulation (R-18) and .032 interior Quaker Bronze aluminum. Overall thickness of panel shall be 3".
- 5 CEILING/ROOF: Roof shall be constructed using galvanized 20 ga, G-60 interlocking pan sections. Sections shall be 3" high with varying widths. Roof shall drain into full perimeter gutter system. Interior ceiling shall be a panel system providing smooth flat interior, constructed from 20 ga pre-finished white steel with 1" polyiso insulation (R-6.5) above.
- 6 WINDOWS: Fixed windows shall be single pane 1/4" clear tempered safety glass. (Qty-1) Sliding window shall have aluminum frame and 1/4" clear tempered safety glass, insect screen, and locking device. Glass shall be glazed within wall system extrusions and not be fastened to exterior wall. Glass sealed with concealed gasket system. Slide window frame same color as building.
- 7 DOOR: Sliding door shall be extruded aluminum frame, half glass (single pane 1/4" clear tempered safety glass), top hung style using an overhead track and heavy duty ball bearing nylon tires with steel hub. Door shall be supplied with mortise hook bolt lockset with removable cylinder. Door same color as building.
- 8 ELECTRICAL: Building shall be wired according to N.E.C. standards. Load center shall be 125 amp main lug, 120/240 volt unit with 6/12 open circuits. Wiring shall be within surface mounted EMT conduit, and included shall be (qty-1) GFI duplex receptacle with tester.
- 9 LIGHTING: Lighting shall be a 4' LED 40w light with pull type switch.
- 10 HEATER: Heater shall be a wall mount electric unit with fan forced operation, 1500w /5120 BTU, 120V and thermostat in an enamel coated 20 gauge steel cabinet.
- 11 AC: AC Thru-wall; 6,000 Cooling BTU/hr, 115 Volts, 12.1 E.E.R., digital remote control, auto air sweep swing louvers, 3 cool / 3 fan speeds, 4-way air flow control, auto-control and auto-restart, 24-hour timer.
- 12 COUNTER: Full width 24" deep by 3/4" white melamine work space counter. Supplied with counter top drop wire grommet(s).



REVISION STATUS OF SHEETS					
REV	DATE	BY	CHKD	APPD	DESCRIPTION
5	4	3	2	1	SH

CERTIFICATION

CUSTOMER APPROVAL

THESE DRAWINGS AND SPECIFICATIONS HAVE BEEN PRODUCED IN ACCORDANCE WITH TWIN MODULAR SERVICES INC. PROPOSAL AND THE PROJECT DESIGN. THE PROJECT WILL BE MANUFACTURED IN ACCORDANCE TO THIS INFORMATION AS SUBMITTED. THE SECURING OF BUILDING PERMITS AND COMPLIANCE WITH APPROPRIATE BUILDING CODES IS THE RESPONSIBILITY OF THE PURCHASER OF THE BUILDING AND NOT THE RESPONSIBILITY OF TWIN MODULAR SERVICES.

- APPROVED AS SUBMITTED
- APPROVED AS NOTED
- REVISE AND RESUBMIT

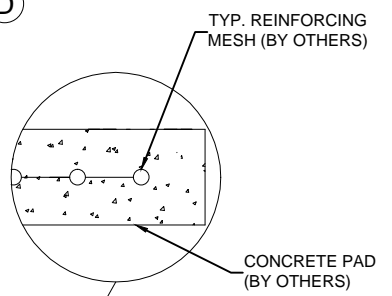
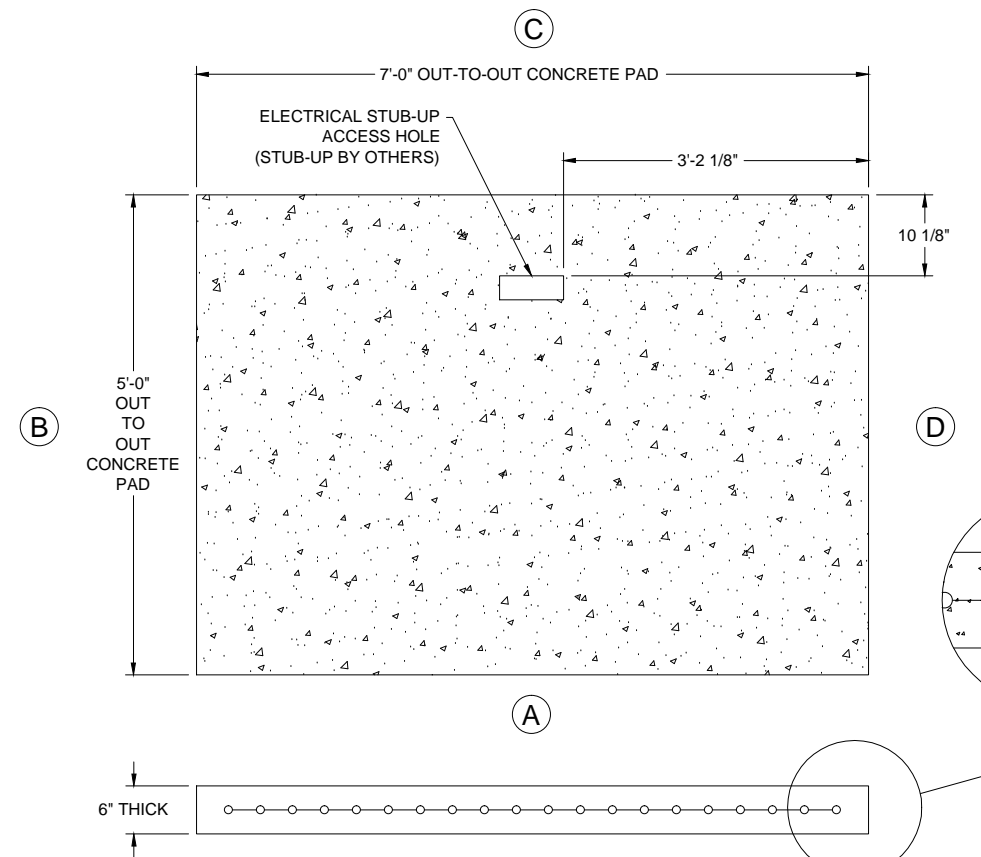
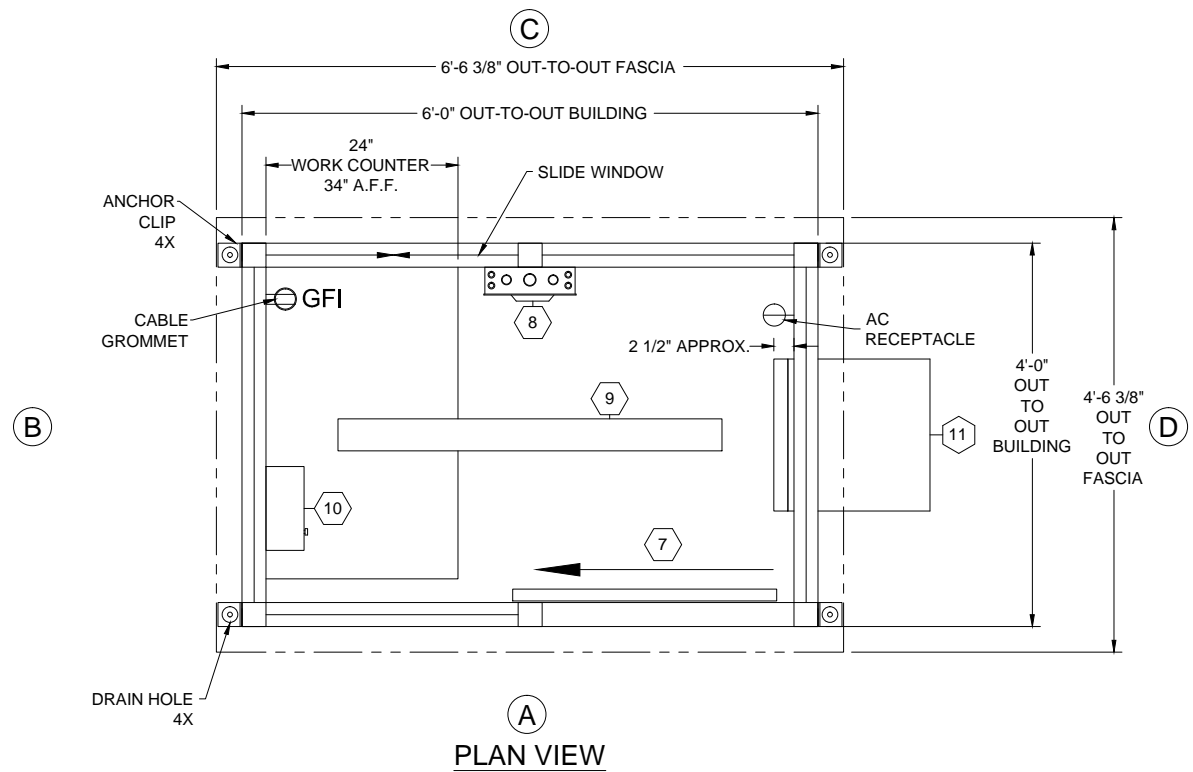
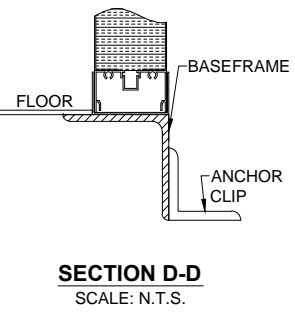
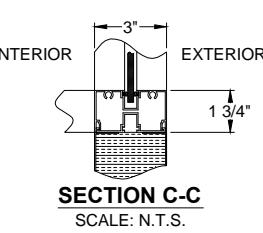
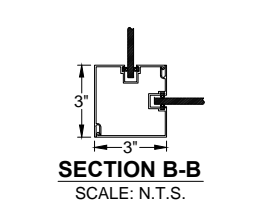
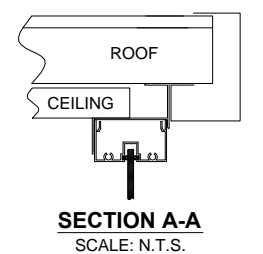
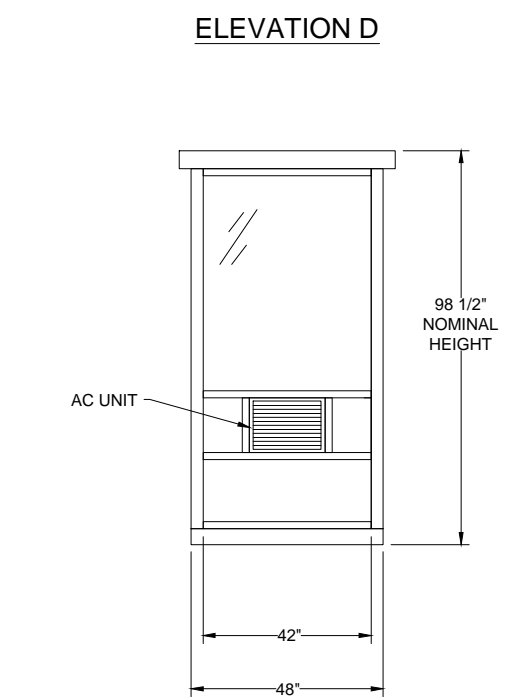
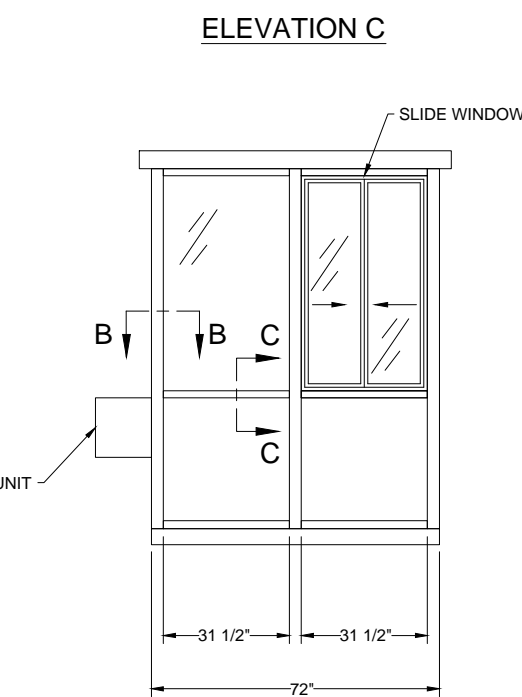
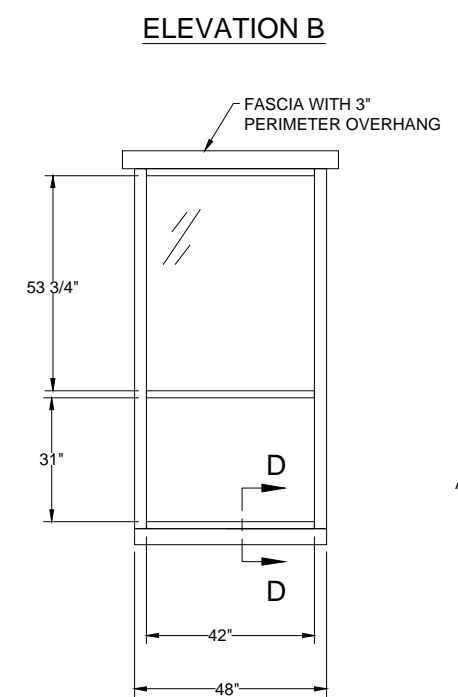
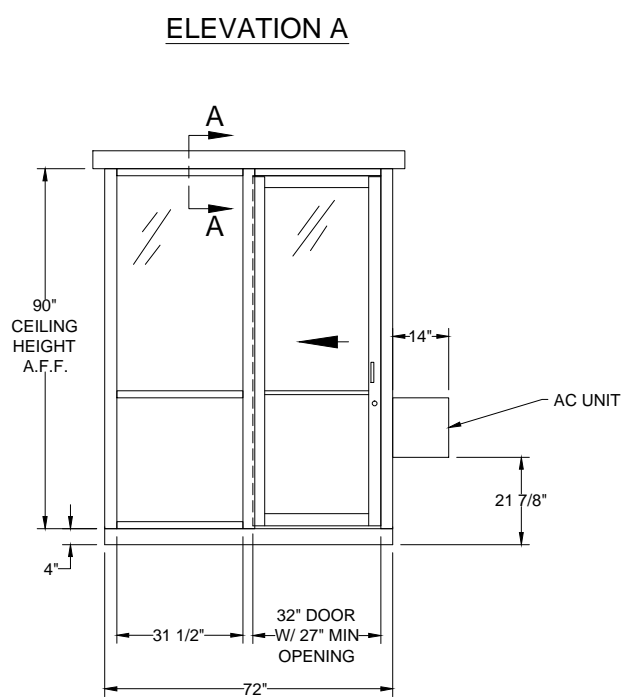
SIGNED: _____ DATE: _____



Twin Modular Services Inc.
 1001 Lower Landing Rd. Ste 607
 Blackwood, NJ 08012
 PHONE: 856-227-0057
 e-mail: info@guardboothonline.com
 www.guardboothonline.com

Notice - Twin Modular Services Inc. claims proprietary rights in the information disclosed on this drawing. It is issued in confidence for engineering information only and may not be used, in whole or in part, to manufacture anything whether or not shown hereon, reproduced or disclosed to anyone without direct written permission from Twin Modular Services Inc.

TITLE:	4'-0" X 6'-0" ALUMINUM BUILDING
JOB NO:	-
QUOTE NO:	
LOCATION:	TBD
MOD NO:	46GBALSD
COLOR:	SEE SPECIFICATIONS
DATE:	10.25.22
DRAWN BY:	CDA
SCALE:	NOT TO SCALE
SHEET:	1 OF 5



CUSTOMER APPROVAL

THESE DRAWINGS AND SPECIFICATIONS HAVE BEEN PRODUCED IN ACCORDANCE WITH TWIN MODULAR SERVICES INC. PROPOSAL AND THE PROJECT DESIGN. THE PROJECT WILL BE MANUFACTURED IN ACCORDANCE TO THIS INFORMATION AS SUBMITTED. THE SECURING OF BUILDING PERMITS AND COMPLIANCE WITH APPROPRIATE BUILDING CODES IS THE RESPONSIBILITY OF THE PURCHASER OF THE BUILDING AND NOT THE RESPONSIBILITY OF TWIN MODULAR SERVICES.

APPROVED AS SUBMITTED
 APPROVED AS NOTED
 REVISE AND RESUBMIT

SIGNED: _____ DATE: _____

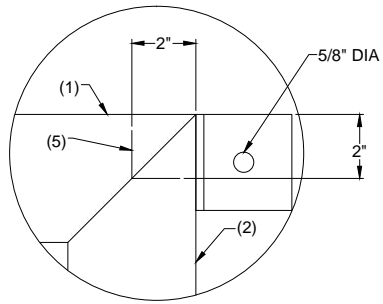


Twin Modular Services Inc.
 1001 Lower Landing Rd. Ste 607
 Blackwood, NJ 08012
 PHONE: 856-227-0057
 e-mail: info@guardboothonline.com
 www.guardboothonline.com

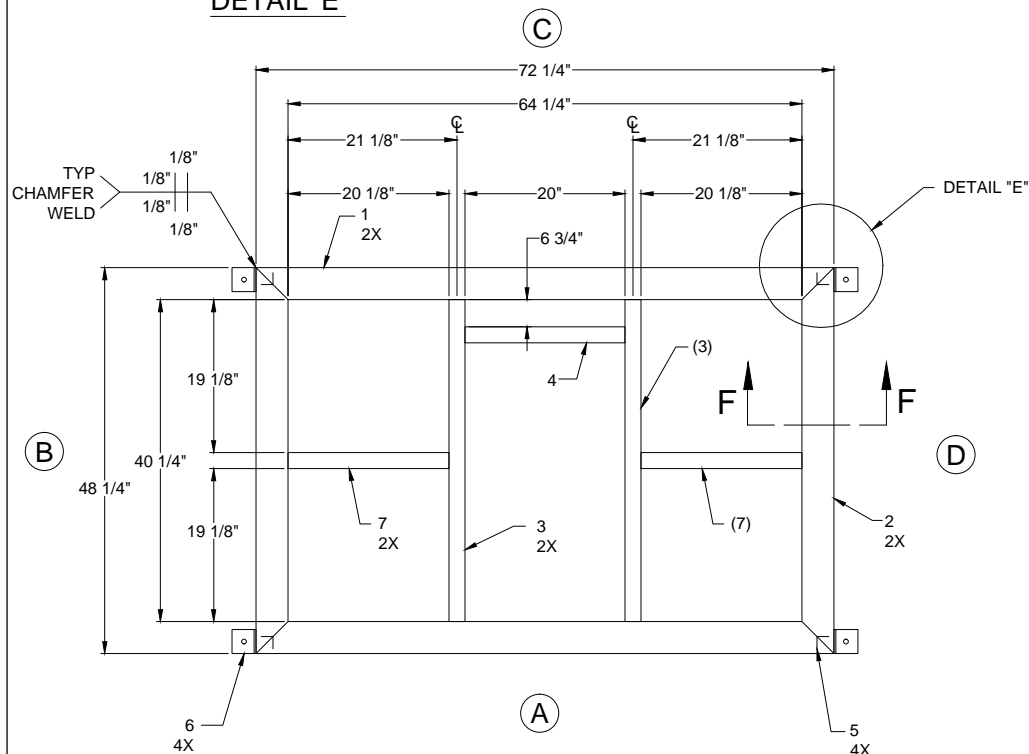
Notice - Twin Modular Services Inc. claims proprietary rights in the information disclosed on this drawing. It is issued in confidence for engineering information only and may not be used, in whole or in part, to manufacture anything whether or not shown hereon, reproduced or disclosed to anyone without direct written permission from Twin Modular Services Inc.

TITLE:	4'-0" X 6'-0" ALUMINUM BUILDING
JOB NO:	-
QUOTE NO:	
LOCATION:	TBD
MOD NO:	46GBALSD
COLOR:	SEE SPECIFICATIONS
DATE:	10.25.22
DRAWN BY:	CDA
SCALE:	NOT TO SCALE
SHEET:	2 OF 5

CERTIFICATION



DETAIL 'E'



BASE FRAME PLAN VIEW

NOTE:
 - ALL WELDING PER WELD PROCEDURE SPECIFICATION #2 & #3.
 - COLOR: CHASSIS SAVER WITH QUAKER BRONZE FINISH.

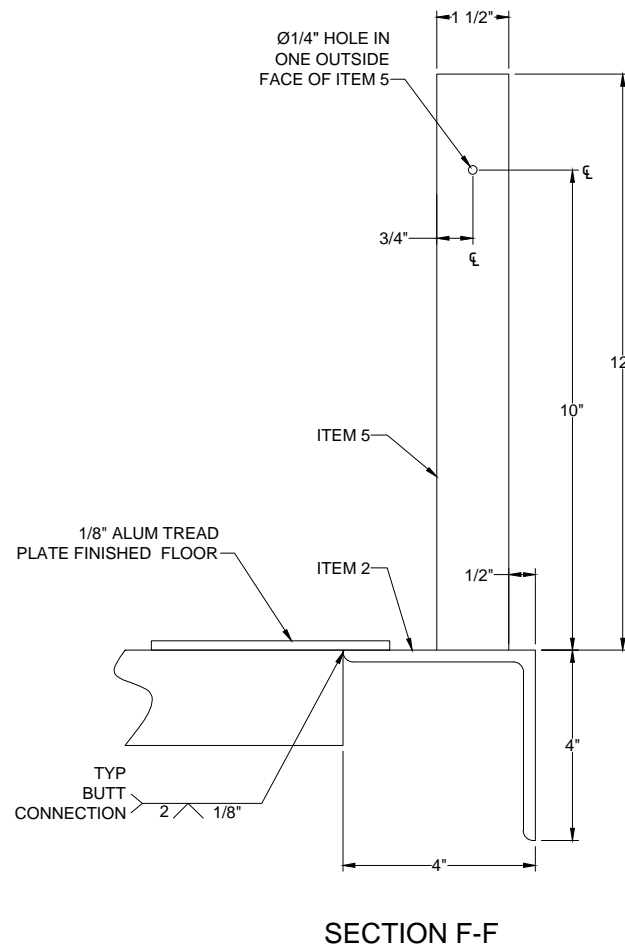
BASE FRAME CUT LIST			
ITEM	DESCRIPTION	LENGTH	QTY
1	4" X 4" X 1/4" STEEL ANGLE	72 1/4"	2
2	4" X 4" X 1/4" STEEL ANGLE	48 1/4"	2
3	2" X 2" X 1/8" STEEL ANGLE	40 1/4"	2
4	2" X 2" X 1/8" STEEL ANGLE	20"	1
5	1 1/2" X 1 1/2" X 1/8" STEEL ANGLE	12"	4
6	3" X 3" X 3/8" STEEL ANGLE ANCHOR	3"	4
7	2" X 2" X 1/8" STEEL ANGLE	20 1/8"	2

CUSTOMER APPROVAL

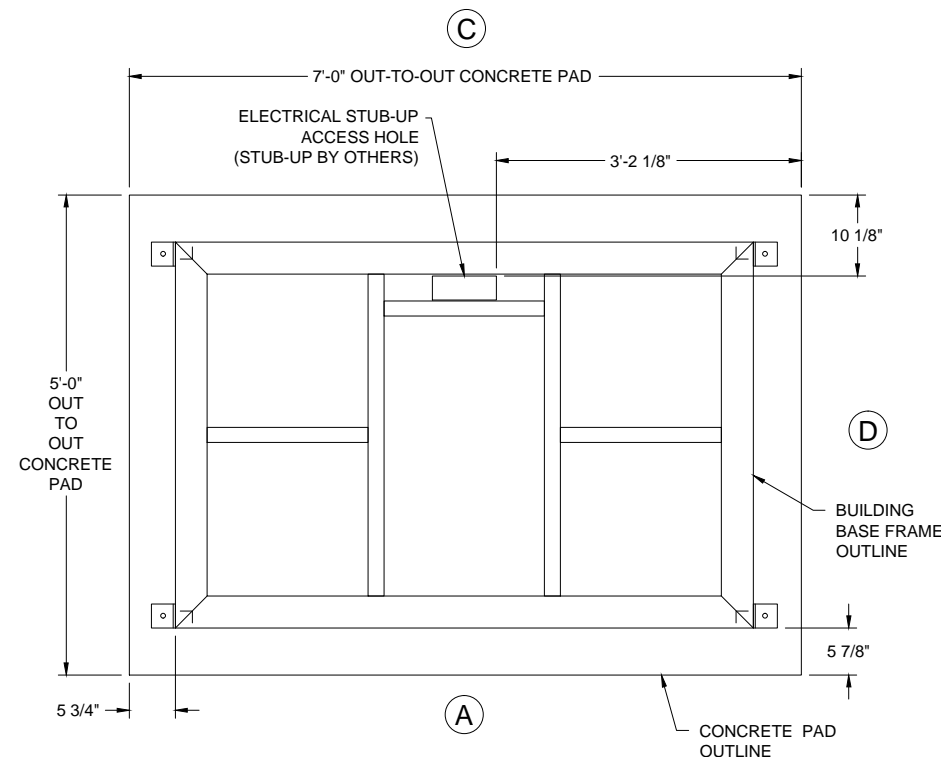
THESE DRAWINGS AND SPECIFICATIONS HAVE BEEN PRODUCED IN ACCORDANCE WITH TWIN MODULAR SERVICES INC. PROPOSAL AND THE PROJECT DESIGN. THE PROJECT WILL BE MANUFACTURED IN ACCORDANCE TO THIS INFORMATION AS SUBMITTED. THE SECURING OF BUILDING PERMITS AND COMPLIANCE WITH APPROPRIATE BUILDING CODES IS THE RESPONSIBILITY OF THE PURCHASER OF THE BUILDING AND NOT THE RESPONSIBILITY OF TWIN MODULAR SERVICES.

- APPROVED AS SUBMITTED
- APPROVED AS NOTED
- REVISE AND RESUBMIT

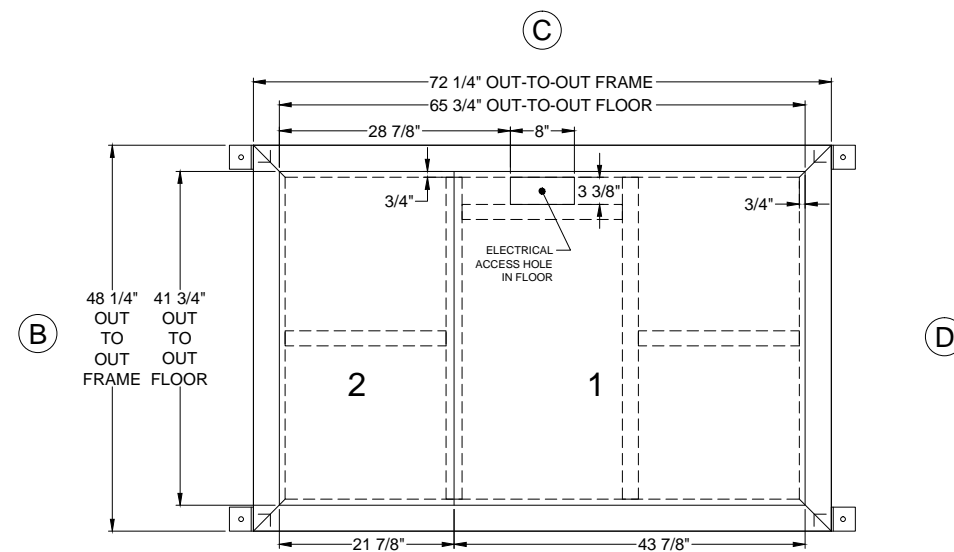
SIGNED: _____ DATE: _____



SECTION F-F



BUILDING BASE FRAME & CONCRETE PAD (OVERLAY)



FLOOR LAYOUT

FLOOR PLATE		
ITEM NO.	DESCRIPTION	QTY.
1	41 3/4" X 43 7/8" X .125 ALUMINUM TREAD PLATE	1
2	41 3/4" X 21 7/8" X .125 ALUMINUM TREAD PLATE	1

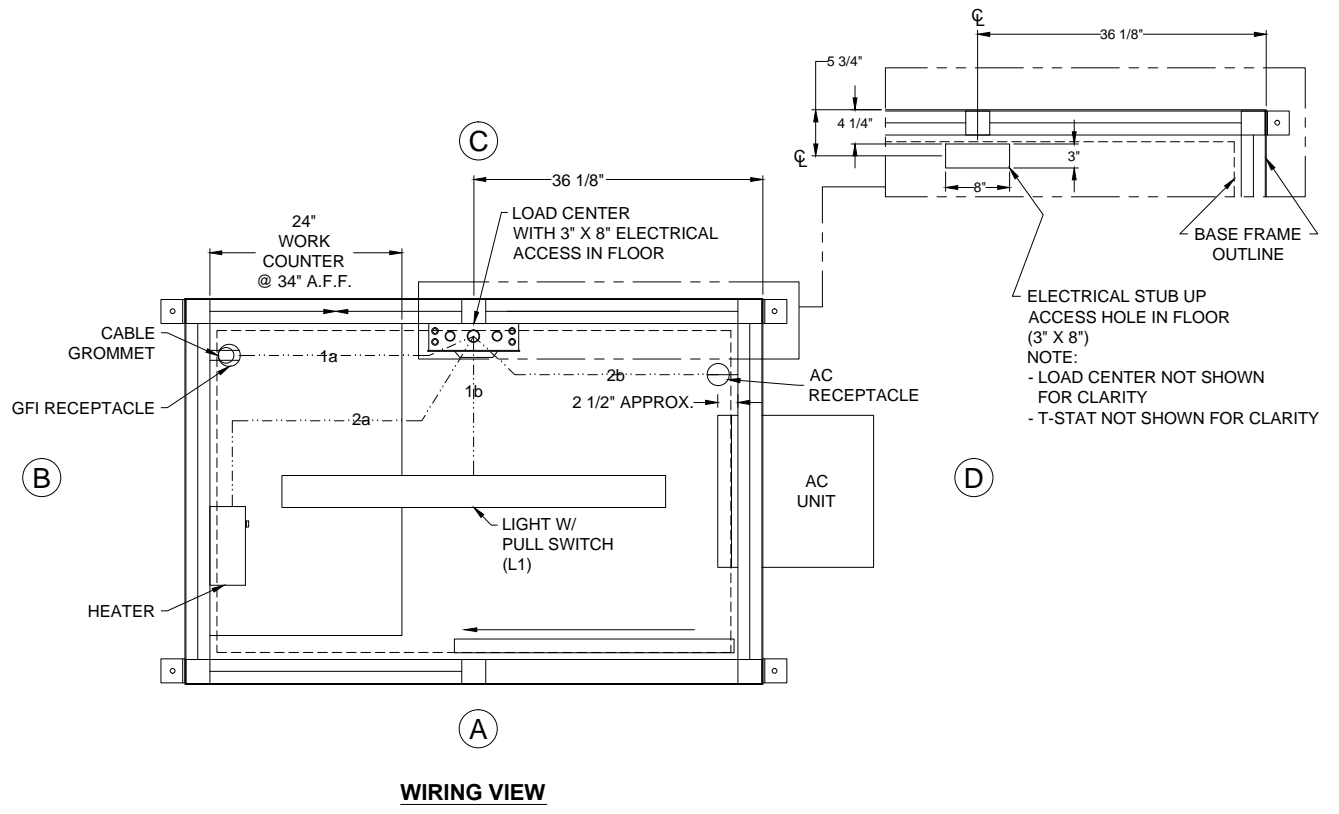
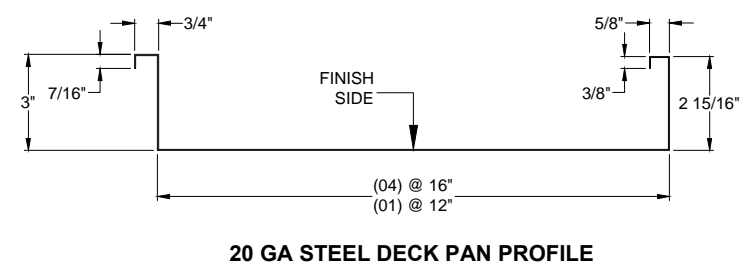
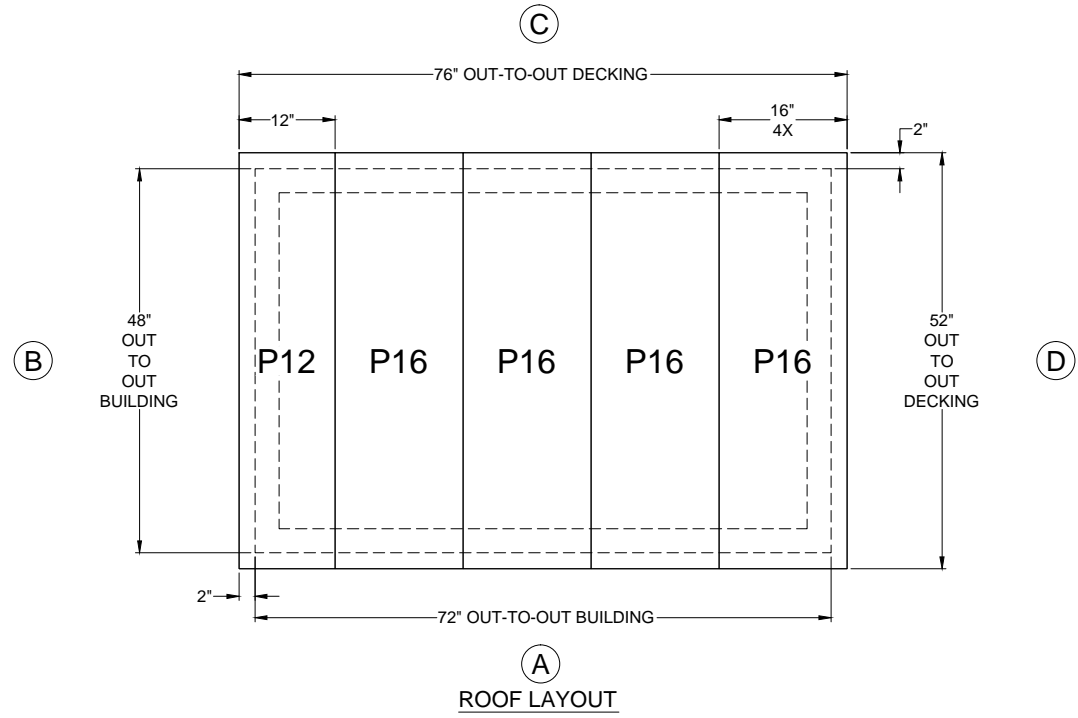
CERTIFICATION



Twin Modular Services Inc.
 1001 Lower Landing Rd. Ste 607
 Blackwood, NJ 08012
 PHONE: 856-227-0057
 e-mail: info@guardboothonline.com
 www.guardboothonline.com

Notice - Twin Modular Services Inc. claims proprietary rights in the information disclosed on this drawing. It is issued in confidence for engineering information only and may not be used, in whole or in part, to manufacture anything whether or not shown hereon, reproduced or disclosed to anyone without direct written permission from Twin Modular Services Inc.

TITLE:	4'-0" X 6'-0" ALUMINUM BUILDING
JOB NO:	-
QUOTE NO:	
LOCATION:	TBD
MOD NO:	46GBALSD
COLOR:	SEE SPECIFICATIONS
DATE:	10.25.22
DRAWN BY:	CDA
SCALE:	NOT TO SCALE
SHEET:	3 OF 5



SINGLE PHASE, 3 WIRE, 125 AMP MAIN LUG, 120/240 VOLT LOAD CENTER			
CIRCUIT NUMBER	ELECTRICAL COMPONENT		CIRCUIT NUMBER
1a	GFI RECEPTACLE - 20A	HEATER - 20A	2a
1b	L1 - 20A	AC RECEPTACLE - 20A	2b
3a	SPACE	SPACE	4a
3b	SPACE	SPACE	4b
5a	SPACE	DO NOT USE	6a
5b	SPACE		6b
7a	SPACE		8a
7b	SPACE		8b

ALL CIRCUITS WILL BE WIRED WITH #12 AWG STRANDED 600V THHN INSULATED WIRE WITHIN 1/2"Ø EMT CONDUIT

NOTES:
 - LOAD CENTER AND GFI RECEPTACLE SHALL BE LOCATED AT 18" A.F.F.
 - HEATER AND GFI RECEPTACLE SHALL BE BELOW COUNTER

CUSTOMER APPROVAL

THESE DRAWINGS AND SPECIFICATIONS HAVE BEEN PRODUCED IN ACCORDANCE WITH TWIN MODULAR SERVICES INC. PROPOSAL AND THE PROJECT DESIGN. THE PROJECT WILL BE MANUFACTURED IN ACCORDANCE TO THIS INFORMATION AS SUBMITTED. THE SECURING OF BUILDING PERMITS AND COMPLIANCE WITH APPROPRIATE BUILDING CODES IS THE RESPONSIBILITY OF THE PURCHASER OF THE BUILDING AND NOT THE RESPONSIBILITY OF TWIN MODULAR SERVICES.

APPROVED AS SUBMITTED
 APPROVED AS NOTED
 REVISE AND RESUBMIT

SIGNED: _____ DATE: _____

CERTIFICATION

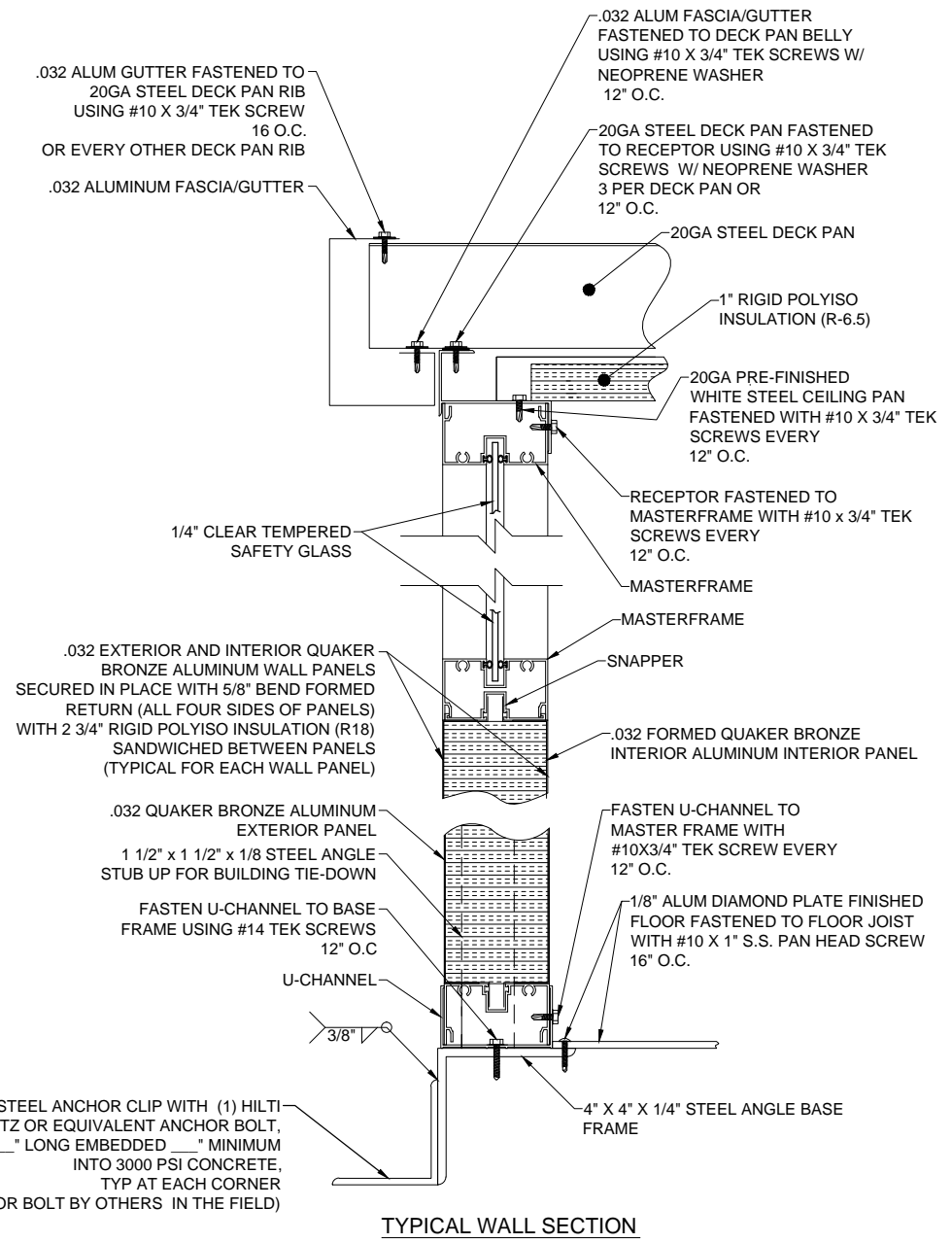
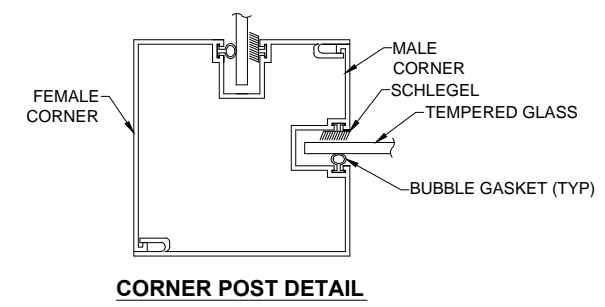
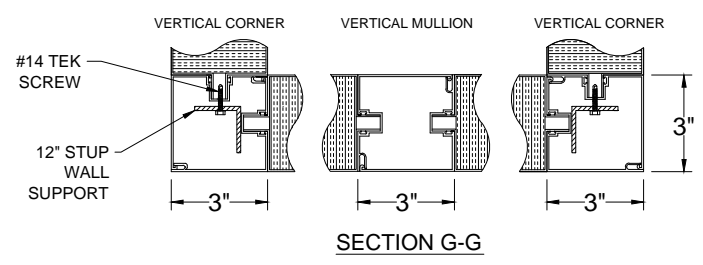
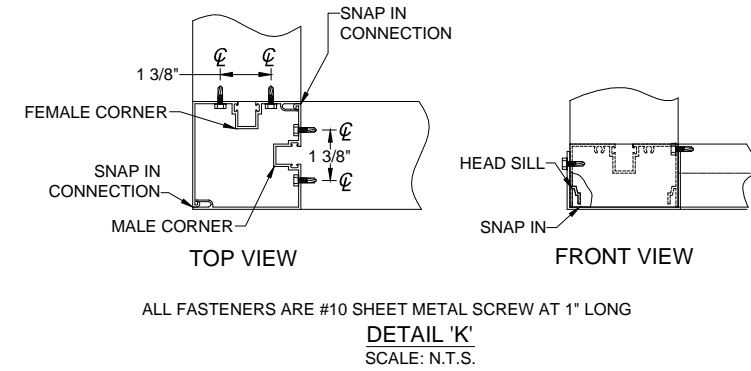
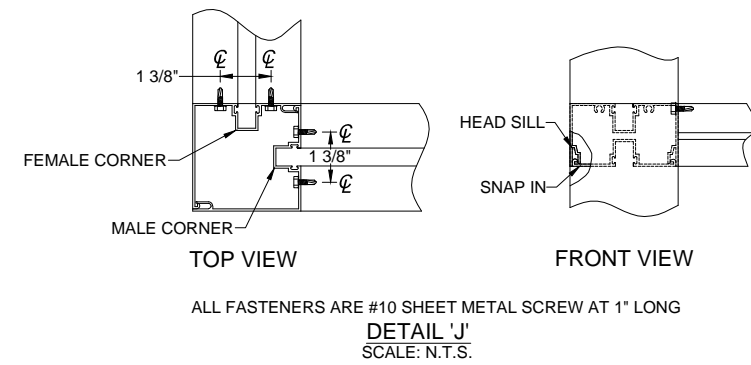
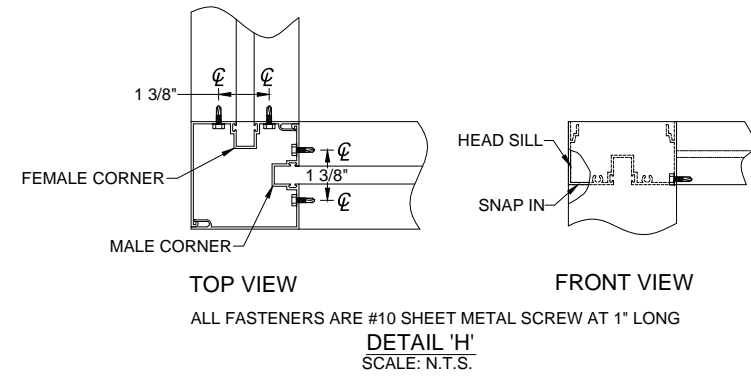
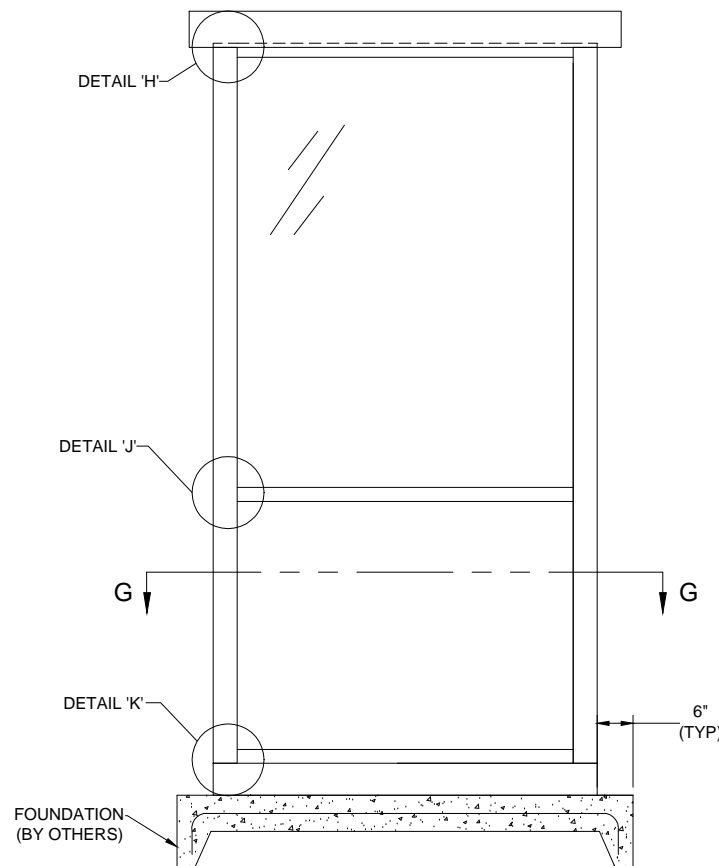


Twin Modular Services Inc.
 1001 Lower Landing Rd. Ste 607
 Blackwood, NJ 08012
 PHONE: 856-227-0057
 e-mail: info@guardboothonline.com
 www.guardboothonline.com

Notice - Twin Modular Services Inc. claims proprietary rights in the information disclosed on this drawing. It is issued in confidence for engineering information only and may not be used, in whole or in part, to manufacture anything whether or not shown hereon, reproduced or disclosed to anyone without direct written permission from Twin Modular Services Inc.

TITLE:	4'-0" X 6'-0" ALUMINUM BUILDING
JOB NO:	-
QUOTE NO:	
LOCATION:	TBD
MOD NO:	46GBALSD
COLOR:	SEE SPECIFICATIONS
DATE:	10.25.22
DRAWN BY:	CDA
SCALE:	NOT TO SCALE
SHEET:	4 OF 5

ELEVATION B



Twin Modular Services Inc.
 1001 Lower Landing Rd. Ste 607
 Blackwood, NJ 08012
 PHONE: 856-227-0057
 e-mail: info@guardboothonline.com
 www.guardboothonline.com

Notice - Twin Modular Services Inc. claims proprietary rights in the information disclosed on this drawing. It is issued in confidence for engineering information only and may not be used, in whole or in part, to manufacture anything whether or not shown hereon, reproduced or disclosed to anyone without direct written permission from Twin Modular Services Inc.

TITLE:	4'-0" X 6'-0" ALUMINUM BUILDING
JOB NO:	-
QUOTE NO:	
LOCATION:	TBD
MOD NO:	46GBALSD
COLOR:	SEE SPECIFICATIONS
DATE:	10.25.22
DRAWN BY:	CDA
SCALE:	NOT TO SCALE
SHEET:	5 OF 5

CUSTOMER APPROVAL

THESE DRAWINGS AND SPECIFICATIONS HAVE BEEN PRODUCED IN ACCORDANCE WITH TWIN MODULAR SERVICES INC. PROPOSAL AND THE PROJECT DESIGN. THE PROJECT WILL BE MANUFACTURED IN ACCORDANCE TO THIS INFORMATION AS SUBMITTED. THE SECURING OF BUILDING PERMITS AND COMPLIANCE WITH APPROPRIATE BUILDING CODES IS THE RESPONSIBILITY OF THE PURCHASER OF THE BUILDING AND NOT THE RESPONSIBILITY OF TWIN MODULAR SERVICES.

- APPROVED AS SUBMITTED
- APPROVED AS NOTED
- REVISE AND RESUBMIT

SIGNED: _____ DATE: _____

CERTIFICATION