

GENERAL BUILDING SPECIFICATIONS:

guardboothonline.com
 guardhousesonline.com
 guardshackonline.com

- GENERAL: Pre-assemble building fabricated from low maintenance, lightweight corrosive resistant aluminum (factory fabricated). Building exterior shall have no exposed fasteners.
- 1 DIMENSIONS: 4'-0" wide x 6'-0" long and 94" nominal outside height. Interior dimension from floor to ceiling shall be 90".
 - 2 FRAME CONSTRUCTION: Provide structural framing of 6063-T6 aluminum alloy extrusions. Members shall have a QUAKER BRONZE finish. Connections shall be fastened internally to framing system using mechanical fasteners or MIG welded where necessary. Exposed fasteners on framing system are not acceptable.
 - 3 BASE/FLOOR: Floor structure shall be layered assembly, 1-1/2" thick, 2pieces of plywood laminated together with a .023 mill finish aluminum underside and an aluminum anti-slip finished floor.
 - 4 LOWER WALL PANEL: Exterior shall be .032 QUAKER BRONZE aluminum, 2 3/4" THERMAX insulation (R-18) and .032 interior aluminum. Overall thickness of panel shall be 3" .
 - 5 CEILING/ROOF: Constructed using Hardboard- Factory coated FRP with white finish exterior and interior. Roof drains into full perimeter gutter system.
 - 6 WINDOWS: Fixed windows shall be single pane 1/4" clear tempered safety glass. Sliding window shall have aluminum frame (QUAKER BRONZE) and 1/4" clear tempered safety glass, insect screen, and locking device. Glass shall be glazed within wall system extrusions and not fastened to exterior wall. Glass sealed with concealed gasket system.
 - 7 DOOR: Sliding door shall be extruded aluminum frame, half glass, top hung style using an overhead track and heavy duty ball bearing nylon tires with steel hub. Door shall be supplied with mortise hook bolt lockset with removable cylinder. Door color shall be QUAKER BRONZE.
 - 8 ELECTRICAL: Building shall be wired according to N.E.C. standards. Load center shall be a 125 amp main lug, 120/240 unit with 8/16 open circuits. Wiring shall be within surface mounted EMT conduit, and included shall be (qty-1) GFI duplex receptacle with tester.
 - 9 LIGHTING: Lighting shall be a dual bulb fluorescent light with pull switch.
 - 10 HEAT: Heating shall be wall mounted electric with fan forced operation, 1500w/5120 BTU and thermostat in a enamel coated 20 ga, steel cabinet.
 - 11 COUNTER: Full width x 24" deep x 3/4" thick white melamine work counter with (qty-1) cable grommet.

V y k p " O q f w i c t " U g t x k e g u " k p e l
 1001 Lower Landing Rd. ~Ste 607
 Blackwood, NJ. 08012



Twin Modular Services Inc.
 1001 Lower Landing Rd. Ste607
 Blackwood, NJ. 08012
 Ú P U P Ò K 856-227-0057

e-mail:
 paul@twinmodular.com
 peter@twinmodular.com

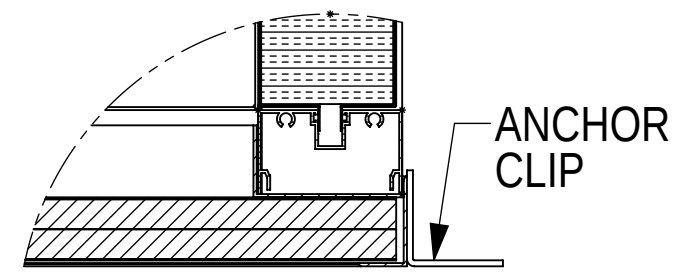
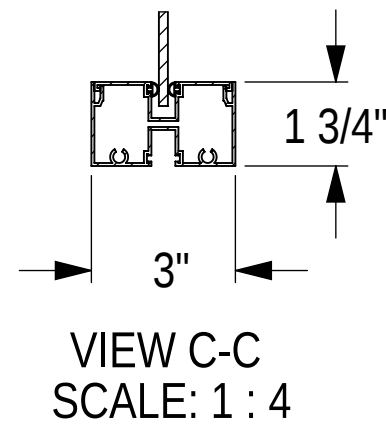
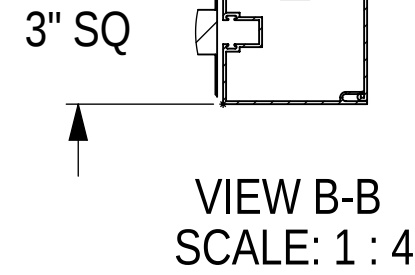
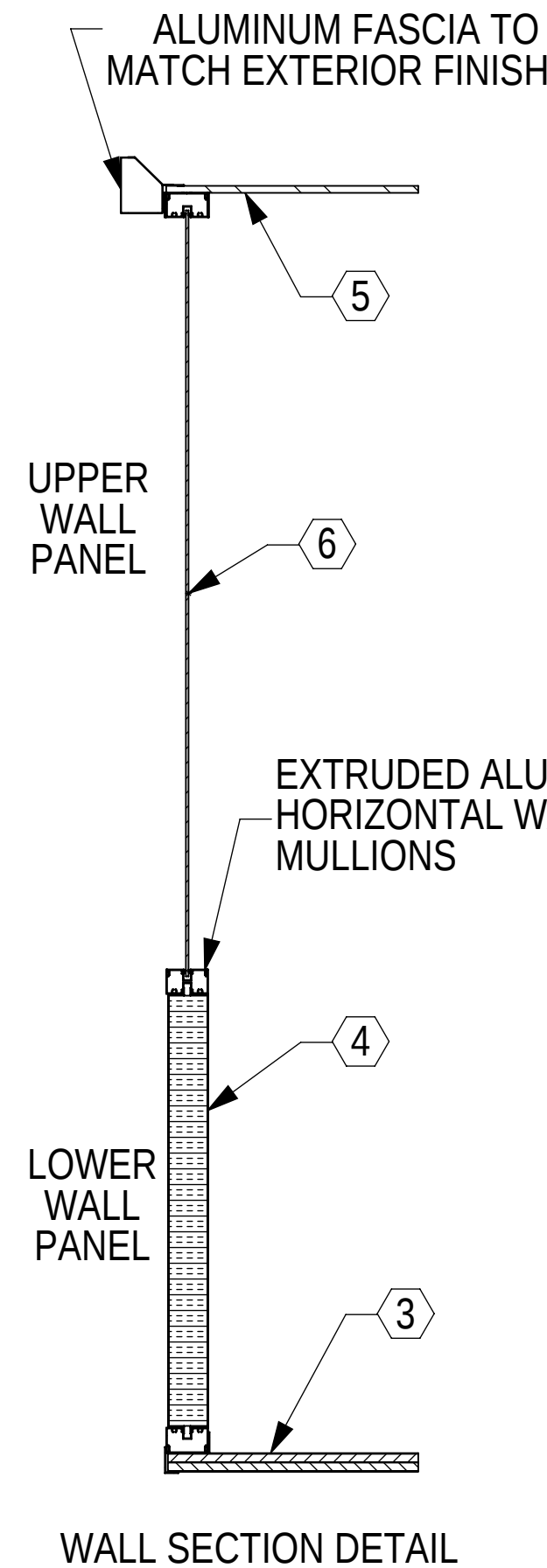
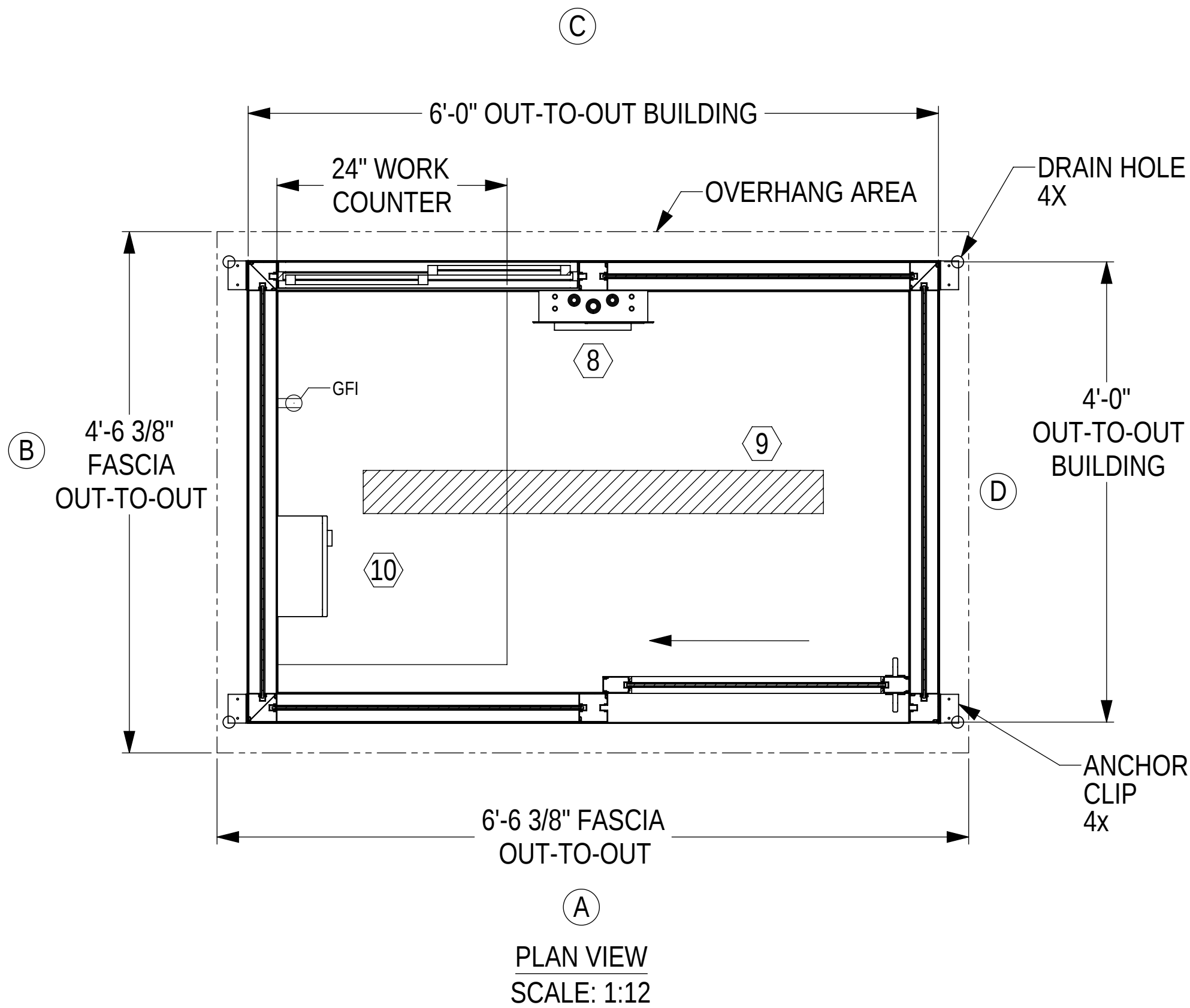
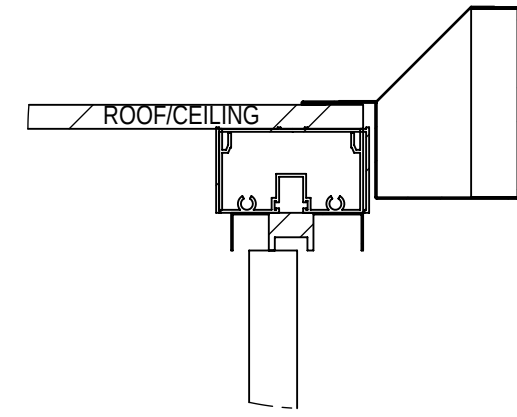
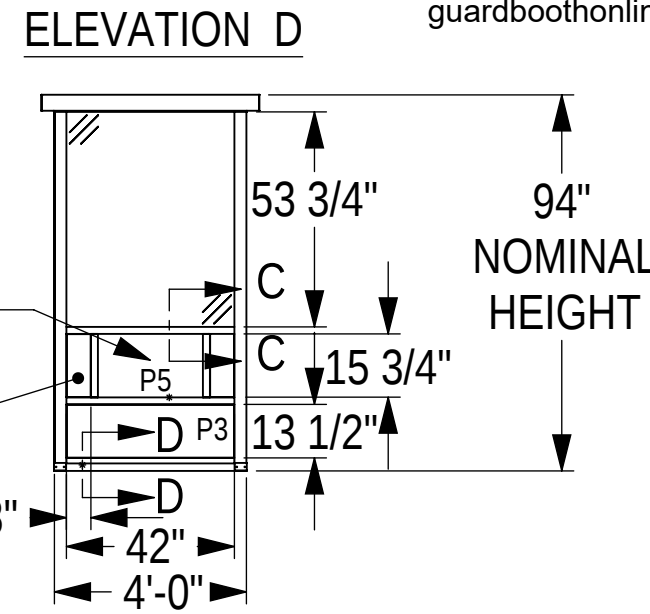
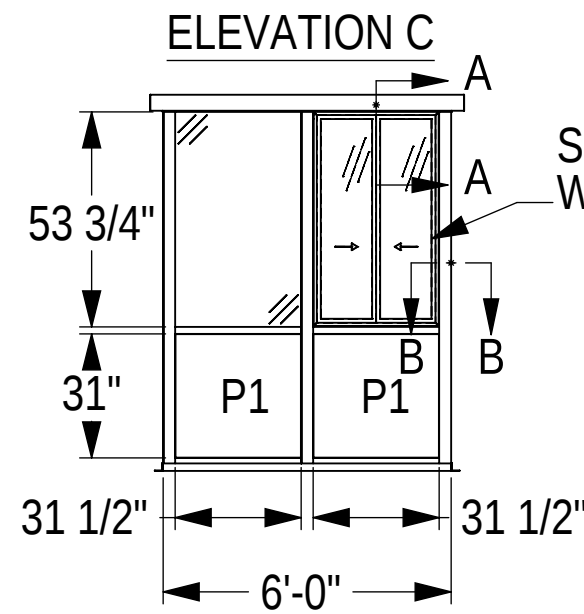
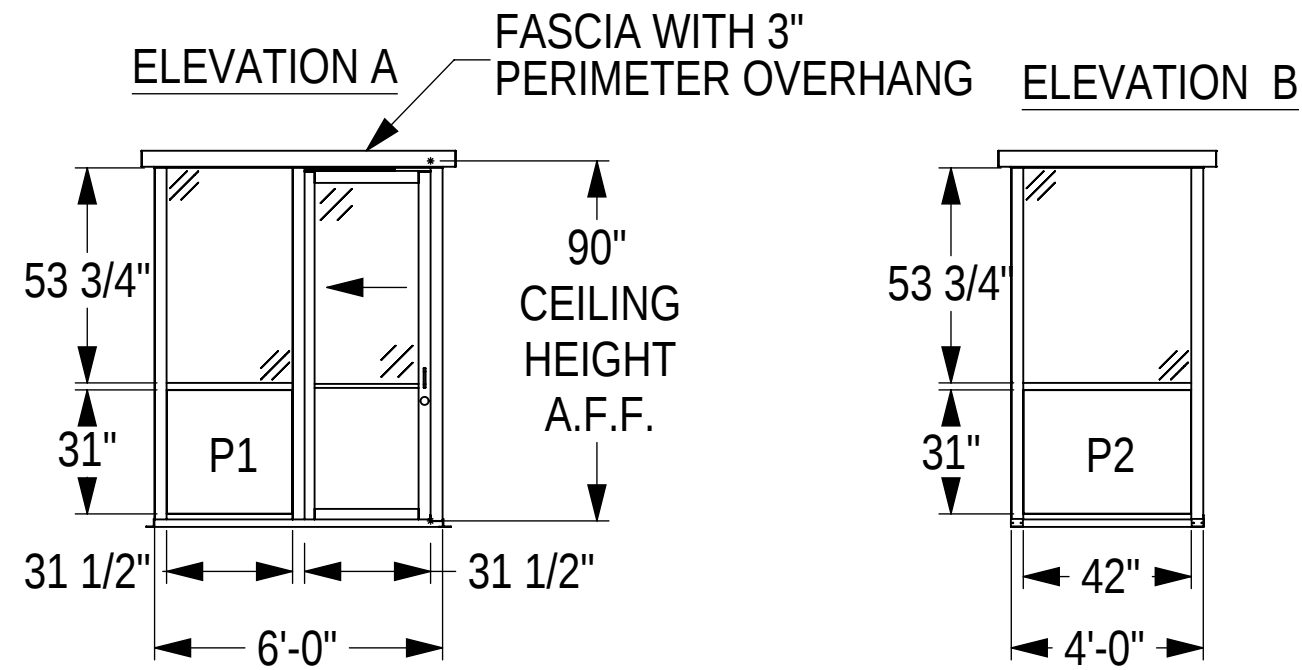
Y Ó Ú U Q Ò Á
 guardboothonline.com
 guardhousesonline.com
 guardshackonline.com

VOISÖK	I Ö Ä K A Ö Ä Ö { ä { Å ä ä *
RUÖPÜEK	
SUÖCBWPK	Blackwood, NJ 08012
TUÖPÜEK	46GBALSD
ÖUSUÜK	Ú W Ö S Ö Ü Ö Ö Ü Ü P Z Ö
ÖCBÖK	11/30/11
ÖÜCB P Ö Y K	JWL
ÖÜÜÜXÖÖÖYK	
ÜÖCSÖK	PUPÖ
ÜPÖÖVK	1

ÖWÜVUT ÖÜÄ ÖÜÜÜXÖS
 ÖÜÜÜÜXÖÖ
 ÖÜÜÜÜXÖÖ ÖÜÜÜÜXÖÖ
 ÖÜÜÜÜXÖÖ ÖÜÜÜÜXÖÖ

SIGNED: _____
 DATE: _____

guardboothonline.com



CERTIFICATION

1/4" CLEAR TEMPERED SAFETY GLASS
2@ 54 3/4" X 32 1/2"
2@ 54 3/4" X 43"
1@ 51" X 27" (SLIDE DOOR)
2@ 49 1/8" X 14 5/16" (SLIDE WINDOW)

SIGNED:
DATE:

Twin Modular Services Inc.
1001 Lower Landing Rd. Ste 607
Blackwood, NJ. 08012



Twin Modular Services Inc. 1001 Lower Landing Rd. Ste607 Blackwood, NJ. 08012

PHONE: 856-227-0057
e-mail: paul@twinmodular.com peter@twinmodular.com

WEBSITE:
guardboothonline.com
guardhousesonline.com
guardshackonline.com

Blackwood, NJ. 08012

Blackwood, NJ. 08012

ALB46G30STK1DR

11/30/11

JWL

JWL

JWL

JWL

JWL

JWL